

# Koyo®

# SC BEARINGS

Full Complement type Cylindrical Roller Bearing with Selfaligning Ring

Application : Rolls for Continuous Casting, Transfer Table etc.



ISO9001/QS-9000  
Certificate No. 927265



## Absorption of Roll Heat Expansion and Bending -Long Bearing Life...Most Suitable for Free Side.

## 1 Features

### 1. Smooth Axial Movement

Easy Absorption of Roll Heat Expansion

### 2. Smooth Alignment

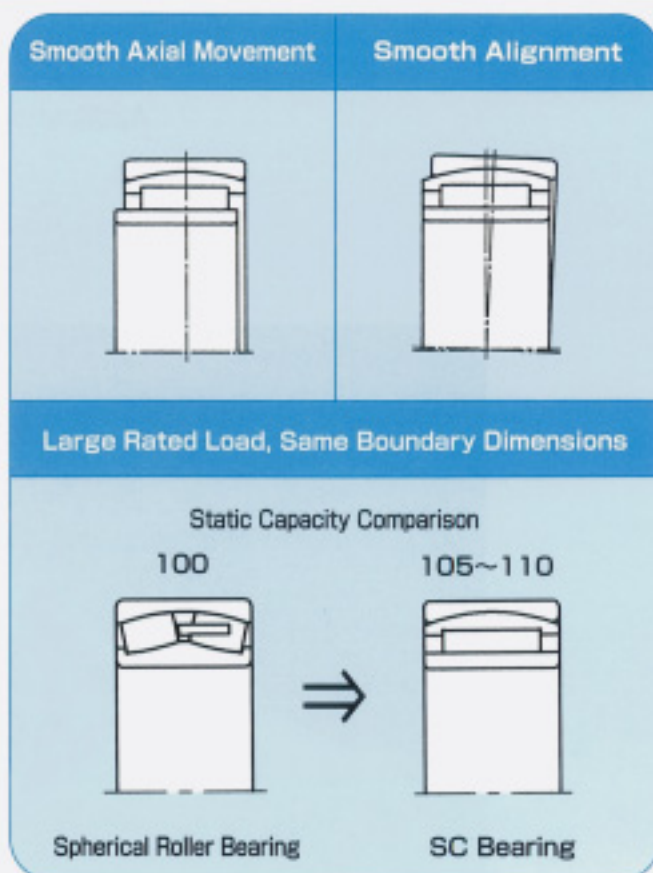
Easy Absorption of Roll Bending

### 3. Long Bearing Life

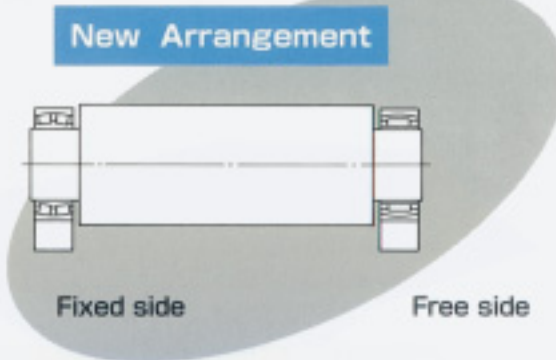
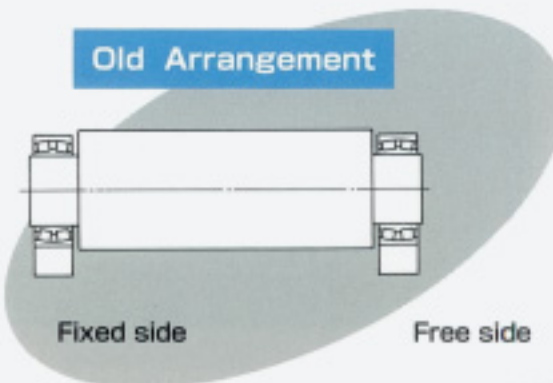
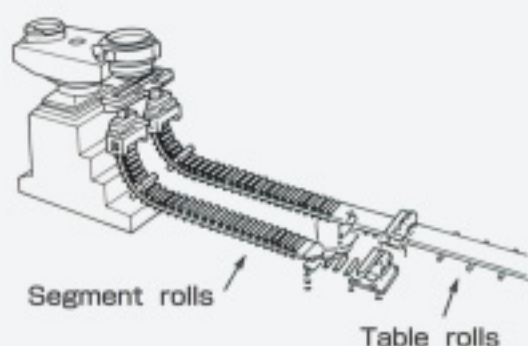
Large Load Capacity with Full Roller type

### 4. Same Dimensions as SPH. R. B.

Exchangeable without Modification



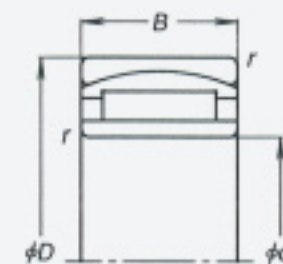
## 2 Application in All type Rolls of C. C.



### Delivery

- KAWASAKI STEEL CORPORATION (JAPAN)
- KOBE STEEL, LTD. (JAPAN)
- SUMITOMO HEAVY INDUSTRIES, LTD. (JAPAN)
- NIPPON STEEL CORPORATION (JAPAN)
- NKK CORPORATION (JAPAN)
- B.S. (U.K.)
- CSN (BRAZIL)
- POSCO (KOREA)

## 3 Dimension Table



Open type

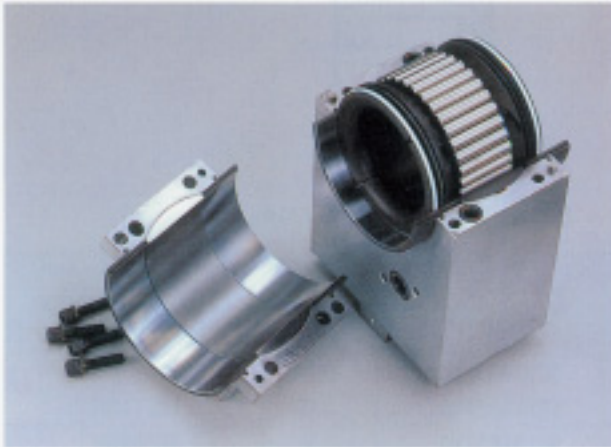


Sealed type (Suffix : RS)

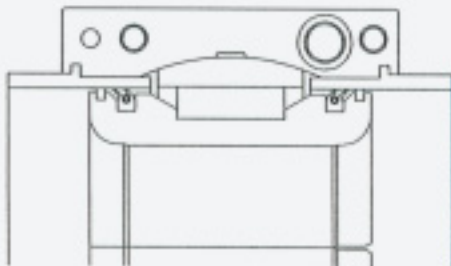
Boundary dimensions, mm				Acceptable roll heat expansion, mm	Basic load ratings, KN		New free side bearing No.	Mass kg	Fixed side spherical roller bearing No.	
d	D	B	r <sub>min</sub>		C	C <sub>0</sub>				
55	90	32	1.1	± 3.5	89.9	202	SC119032VA	0.94		
	100	25	1.5	± 4	95.9	143	SC111025VA	0.92	22211RH	
65	120	31	1.5	± 4	131	200	SC131231VA	1.7	22213RH	
70	125	31	1.5	± 6	126	213	SC141331VA	1.75	22214RH	
75	130	31	1.5	± 5	148	237	SC151331VA	1.86	22215RH	
		45	2	± 4.5	271	500	SC181640-1VA	3.78	22218RH	
		52	2	± 5.5	309	555	SC181652VA	4.85	23218RH	
100	150	50	1.5	± 6	246	543	SC201550VA	3.42		
	165	52	2	± 6	314	615	SC201752VA	4.7	23120RH	
110	170	45	2	± 7	237	496	SC221745VA	4.8	23022RH	
		60	2	± 8	316	718	SC221760VA	5.5	24022R	
	180	56	2	± 8	342	666	SC221856VA	5.63	23122R	
		69	2	± 9	409	837	SC221869V-1A	7.6		
120	180	46	2	± 8	246	516	SC241846VA	4.38	23024RH	
		54	2	±12	246	516	SC241854VA	4.95		
		58	2	±12	273	589	SC241858VA	5.36		
		60	2	± 9	323	720	SC241860VA	5.5	24024RH	
		80	2	± 9.5	521	1120	SC242080VA	11.1	24124RH	
130	200	69	2	± 9	421	945	SC262069VA	8.38	24026RH	
	210	64	2	±10	408	882	SC262164VA	9.18	23126RH	
	230	64	3	±10	470	860	SC262364VA	12.2	22226RH	
140	210	53	2	± 7	358	798	SC282153RVA	6.7	23028RH	
		69	2	± 9.5	431	1010	SC282169RVA	8.8	24028RH	
		225	68	2.1	± 7	512	1150	SC282368RVA	11.1	23128RH
		73	2.1	±12	473	1040	SC282373VA	11.9		
		85	2.1	±12.5	565	1300	SC282385VA	13.8	24128RH	
150	225	75	2.1	±10	518	1210	SC302375VA	10.9	24030RH	
	160	240	80	2.1	± 8	614	1500	SC322480RVA	13.8	24032RH
		270	109	2.1	±13.5	869	1980	SC3227109VA	28	24132RH
200	340	114	4	±15	1230	2300	SC3234114VA	55.3	22332RHA	
	260	90	2.1	±14	673	1530	SC342690VA	17.9	24034RH	
180	280	100	2.1	± 7	796	1900	360C28100VA	24.8	24036RH	
190	290	100	2.1	± 8	819	2000	380C29100VA	25.9	24038RHA	
	320	104	3	±12	1030	2270	SC3832104VA	37.2	23138RHA	
200	310	109	2.1	±11	978	2550	SC403111VA	33.5	24040RHA	
		115	2.1	±14	978	2550	SC4031115VA	34.7		
220	370	150	4	±14	1490	3610	440C37150VA	72.3	24144RHA	



### HSC BEARINGS



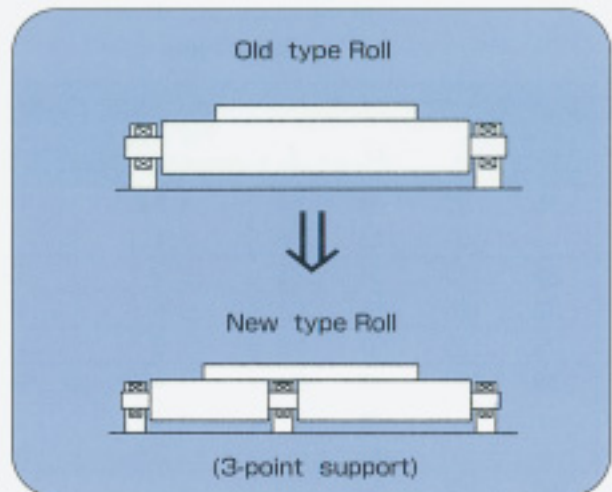
HSC Bearing



Construction

### Construction

Unit bearing with outer ring, inner ring, housing etc. made from two separate halves. Suitable for center support of multi-point support roll.



### Features

Easy handling, long life and improved C. C. product quality.

## KOYO SEIKO CO., LTD.

Head Office No. 5-8, Minamimemba 3-chome, Chuo-ku, Osaka 542-8502, JAPAN  
TEL : 81-6-6245-6087 FAX : 81-6-6244-0814

#### KOYO CANADA INC.

TEL : 1-905-881-1121 FAX : 1-905-881-1392

#### \*KOYO CORPORATION OF U.S.A.

TEL : 1-440-835-1000 FAX : 1-440-835-9347

#### \*KOYO CORPORATION OF U.S.A. (AUTO SALES & TECHNICAL CENTER)

TEL : 1-734-454-1500 FAX : 1-734-454-4078

#### KOYO STEERING SYSTEMS OF U.S.A. INC.

TEL : 1-734-454-7057 FAX : 1-734-454-7059

#### KOYO DE MEXICO, S.A.

TEL : 52-55-5358-0214/0077 FAX : 52-55-5576-8627/8671

#### KOYO LATIN AMERICA, S.A.

TEL : 507-264-0921/0977 FAX : 507-264-2782/507-269-7578

#### KOYO ROLAMENTOS DO BRASIL LTDA.

TEL : 55-11-3887-9173 FAX : 55-11-3887-3039

#### THAI KOYO CO., LTD.

TEL : 66-2-264-0395, 661-9603/9605 FAX : 66-2-661-9606

#### KOYO SINGAPORE BEARING (PTE.) LTD.

TEL : 65-6274-2200 FAX : 65-6862-1623

#### PHILIPPINE KOYO BEARING CORPORATION

TEL : 63-2-817-8881/8901 FAX : 63-2-867-3148

#### KOYO SEIKO CO., LTD. SEOUL BRANCH

TEL : 82-2-549-7922 FAX : 82-2-549-7923

#### KOYO SEIKO CO., LTD. BEIJING LIAISON OFFICE

TEL : 86-10-6515-0037 FAX : 86-10-6515-0522

#### KOYO SEIKO CO., LTD. SHANGHAI LIAISON OFFICE

TEL:86-21-6237-5280 FAX:86-21-6237-5277

#### \*\*\*KOYO AUSTRALIA PTY. LTD.

TEL : 61-2-9638-2355 FAX : 61-2-9638-3368

#### KOYO SEIKO CO., LTD. EUROPEAN CENTRAL OFFICE (SALES & TECHNICAL CENTER)

TEL : 31-36-6383333 FAX : 31-36-6347212

#### KOYO STEERING EUROPE S.A.S. (SALES & TECHNICAL CENTER)

TEL:33-472-39-4444 FAX:33-472-39-2188

#### \*\*\*KOYO KULLAGER SCANDINAVIA A.B.

TEL : 46-8-594-212-00 FAX : 46-8-594-212-29

#### \*KOYO (U.K.) LTD.

TEL : 44-1908-289300 FAX : 44-1908-289333

#### \*\*\*EUROPA-KOYO B.V.

TEL : 31-184-606800 FAX : 31-184-602572/606857

#### KOYO ROMANIA REPRESENTATIVE OFFICE

TEL:40-21-410-4170/4182/0984 FAX:40-21-410-1178

#### \*KOYO DEUTSCHLAND GMBH.

TEL : 49-40-67-9090-0 FAX : 49-40-67-9203-0

#### KOYO FRANCE S.A.

TEL : 33-1-3998-4202 FAX : 33-1-3998-4244/4249

#### KOYO IBERICA, S.A.

TEL : 34-91-329-0518 FAX : 34-91-747-1194

#### KOYO ITALIA S.R.L.

TEL : 39-02-2951-0844 FAX : 39-02-2951-0954